



60" – 96" Closet



# DO-IT-YOURSELF CLOSET

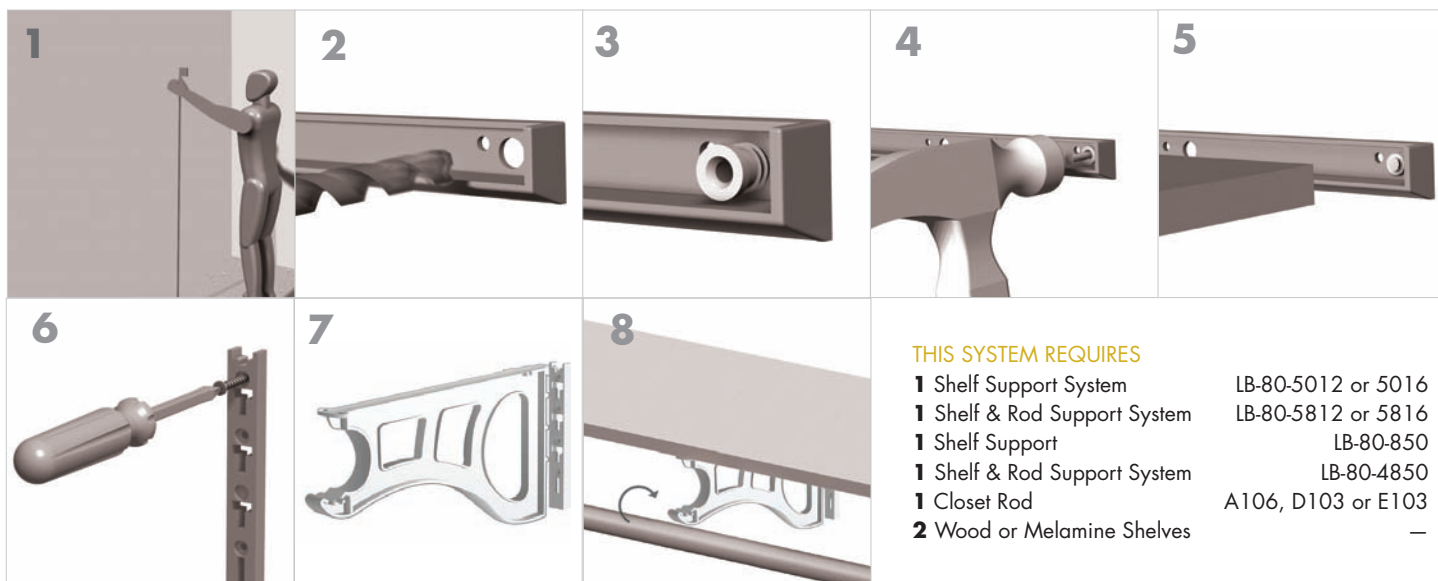
## HOW TO INSTALL

### INSTALL END SUPPORTS

- 1** Measure desired shelf height and mark location.
  - Place support at marked height with open end touching the wall.
  - Supports mount directly to drywall, no need to locate studs.
- 2** Using holes in the support as a guide, carefully drill 3/8" holes.
- 3** Press drywall anchors through the support and into drilled holes until anchors lock into place.
- 4** Insert spread pins into center of drywall anchors. Hammer in.
- 5** Cut the shelf 3/8" (10 mm) shorter than the overall width of closet.
  - Simply place shelf on supports.

### ADD SUPPORTS

- 6** Locate stud on back wall.
  - Measure to desired shelf height and mark location.
  - Subtract the shelf thickness, remark and install.
  - Secure back plate to stud with wood screws
- 7** Insert the support into the back plate.
  - Press down on support until it locks into place.
- 8** Place shelf on top of the support.
  - Secure shelf by inserting wood screws through the holes in the wings at the top of the support.



### THIS SYSTEM REQUIRES

- |                                     |                    |
|-------------------------------------|--------------------|
| <b>1</b> Shelf Support System       | LB-80-5012 or 5016 |
| <b>1</b> Shelf & Rod Support System | LB-80-5812 or 5816 |
| <b>1</b> Shelf Support              | LB-80-850          |
| <b>1</b> Shelf & Rod Support System | LB-80-4850         |
| <b>1</b> Closet Rod                 | A106, D103 or E103 |
| <b>2</b> Wood or Melamine Shelves   | —                  |



50 Miry Brook Road, Danbury, CT 06810  
 Corporate: 877.259.LIDO • 877.259.5436 • Fax: 661.295.8383  
 Email: sales@lidadesigns.com

## 40" x 72" Walk-in Pantry



# DO-IT-YOURSELF PANTRY

## HOW TO INSTALL

### INSTALL END SUPPORTS

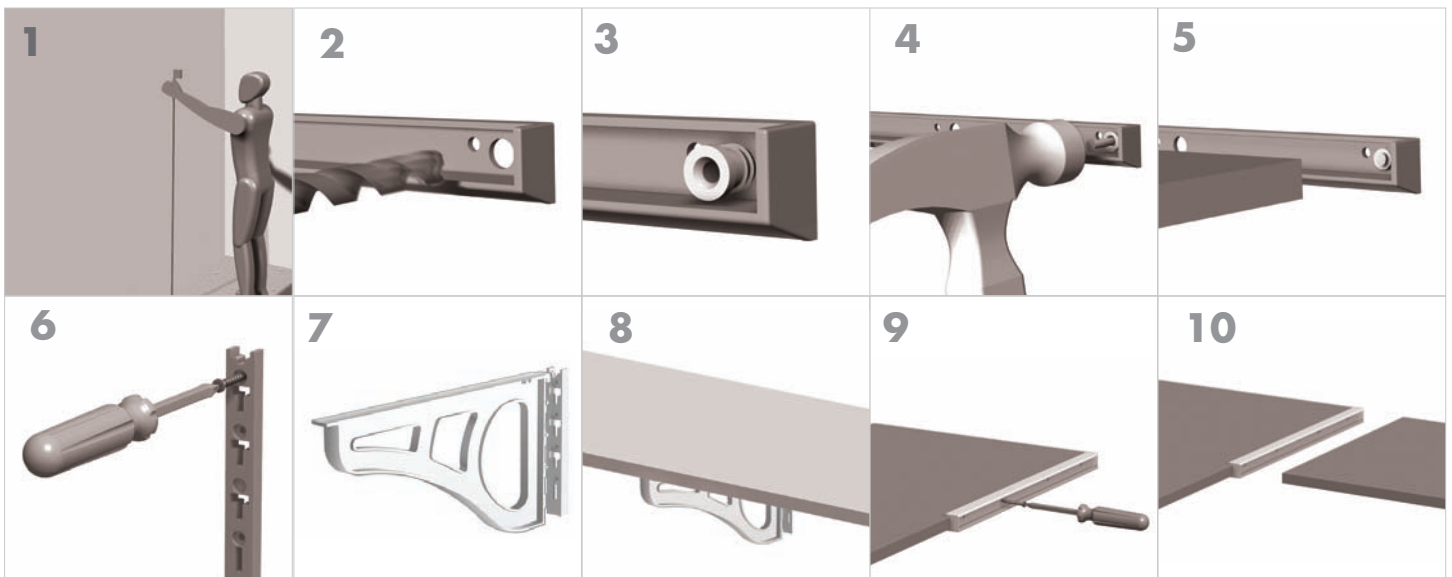
- 1** Measure desired shelf height and mark location.
  - Place support at marked height with open end touching the wall.
  - Supports mount directly to drywall, no need to locate studs.
- 2** Using holes in the support as a guide, carefully drill 3/8" holes.
- 3** Press drywall anchors through the support and into drilled holes until anchors lock into place.
- 4** Insert spread pins into center of drywall anchors. Hammer in.
- 5** Cut the shelf 3/8" (10 mm) shorter than the overall width of closet.
  - Simply place shelf on supports.

### ADD SUPPORTS

- 6** Locate stud on back wall.
  - Measure to desired shelf height and mark location.
  - Subtract the shelf thickness, remark and install.
  - Secure back plate to stud with wood screws
- 7** Insert the support into the back plate.
  - Press down on support until it locks into place.
- 8** Place shelf on top of the support.
  - Secure shelf by inserting wood screws through the holes in the wings at the top of the support.
- 9** Install one of the Shelves.
  - Position joiner onto front edge of that shelf (countersunk holes facing out).
  - Slide the joiner until it is touching the wall or end support.
  - Using wood screws attach joiner to front edge of the shelf.
- 10** Measure and cut adjoining shelf to length and slide it into position.
  - Joiner itself may be cut to fit width of adjoining shelf.

### THIS SYSTEM REQUIRES

- |                                  |                    |
|----------------------------------|--------------------|
| <b>8</b> Shelf Support Systems   | LB-80-5012 or 5016 |
| <b>6</b> Shelf Supports          | LB-80-4050         |
| <b>3</b> Shelf Joiners           | LB-80-830          |
| 7 x 72" Wood or Melamine Shelves | —                  |



50 Miry Brook Road, Danbury, CT 06810  
 Corporate: 877.259.LIDO • 877.259.5436 • Fax: 661.295.8383  
 Email: sales@lidadesigns.com